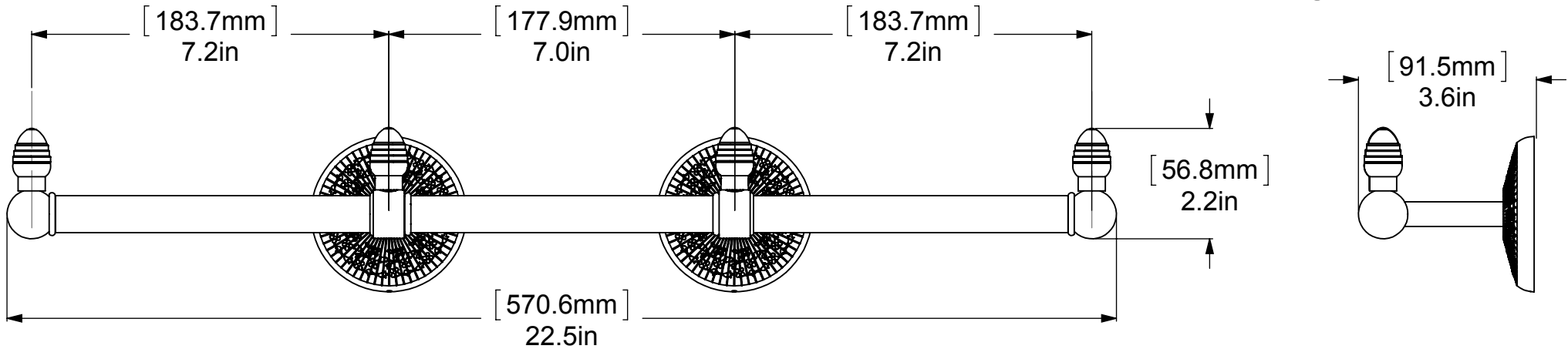
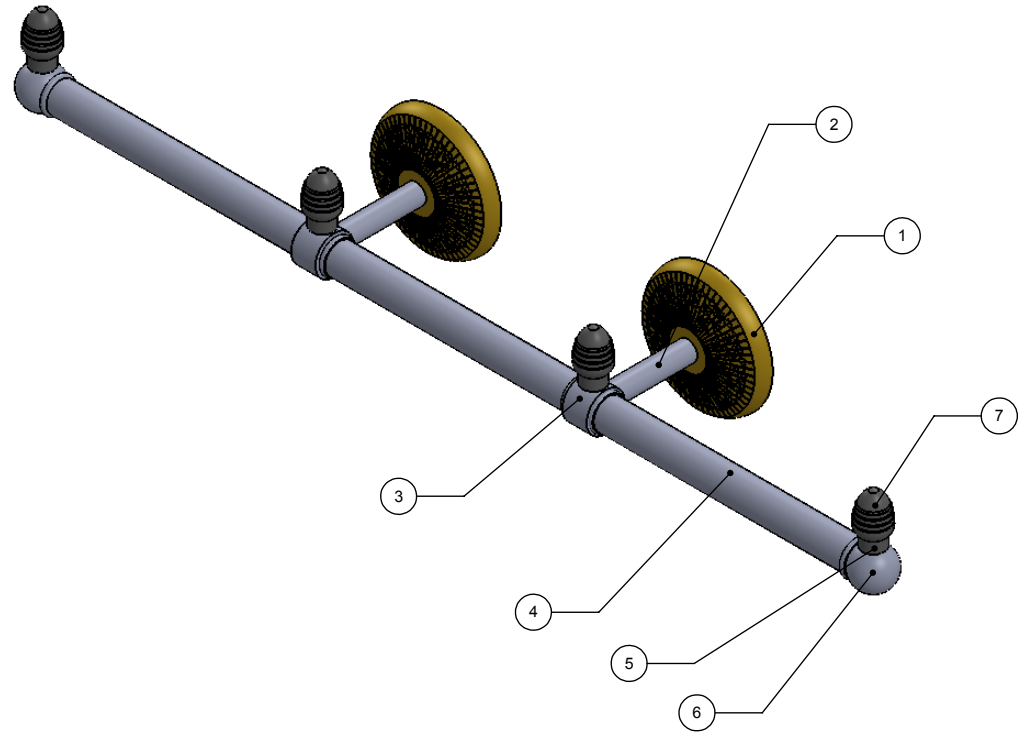


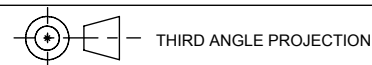
| ITEM NO. | P/N | Description | QTY. |
|----------|----------|-------------|------|
| 1 | BPMC | BACKPLATE | 2 |
| 2 | TU12-2 | Neck | 2 |
| 3 | HB2T-1 | HUB | 2 |
| 4 | TU34-6.5 | TUBE | 3 |
| 5 | CRRD-34 | RING | 6 |
| 6 | BL2T-1 | END BALL | 2 |
| 7 | KBGT-1 | TOP | 4 |



UNLESS OTHERWISE STATED


| | |
|------|---------|
| .X | ±.3mm |
| .XX | ±.15mm |
| .XXX | ±.008mm |

COPYRIGHT © Allied Brass 2016



| | | |
|----------|----------|-----|
| DRAWN | 5/3/2016 | I.M |
| CHECKED | 5/3/2016 | P.D |
| APPROVED | 5/3/2016 | R.A |

| | |
|--------------|--------------|
| MATERIAL: | BRASS |
| DESCRIPTION: | TOWEL HOLDER |



| | |
|-------------|-------------|
| FINISH | TBD |
| QUANTITY | TBD |
| DRAWING No. | BPMC-HTB -3 |
| REV | 0 |
| SCALE | 1:3 |
| SHEET: 01 | A4 |